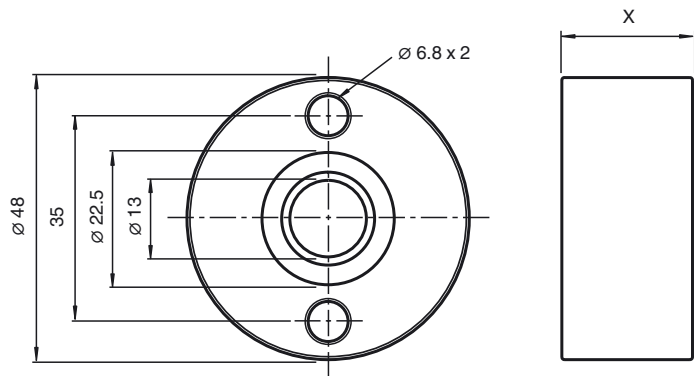


**Dimensions**



**Model Number**

**SPACER 0.160 TO 0.375 : X.XXX"**

Spacer for cylinder switches

**Features**

- For adapting standard probe lengths to application requirements
- X.XXX = spacer thickness in inches

**Technical data**

**Mechanical specifications**

Material	6061 aluminum
Seal	Viton O-ring inner diameter: 17.93 mm thickness: 2.46 mm
Note	When ordering specify thickness X.XXX" range: 0.160" ... 0.375" in increments of 0.005" (x = thickness)

Release date: 2011-03-03 20:44 Date of issue: 2011-03-03 900186\_ENG.xml

**Note**

**Mounting (F, D, & PD series sensors)**

**Probe through-hole (Figure 1):**

Standard probe hole ports are tapped with size 3/8" NPT threading. The minimum probe through-hole diameter is 0.560".

**Mounting holes (Figure 2):**

Thread shall be 1/4" - 20. Hole spacing is 35 mm center to center.

**Mounting screws (Figure 2):**

Sensor and spacer are secured with two self-locking 1/4" - 20 socket head cap screws. Minimum recommended tightening torque is 150 in. lb.

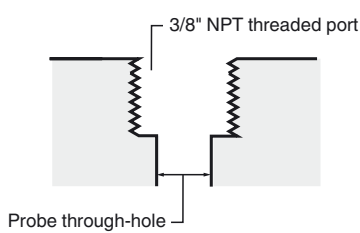


Figure 2

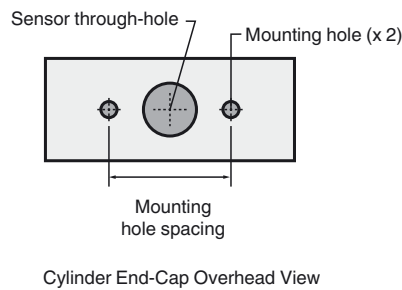


Figure 2

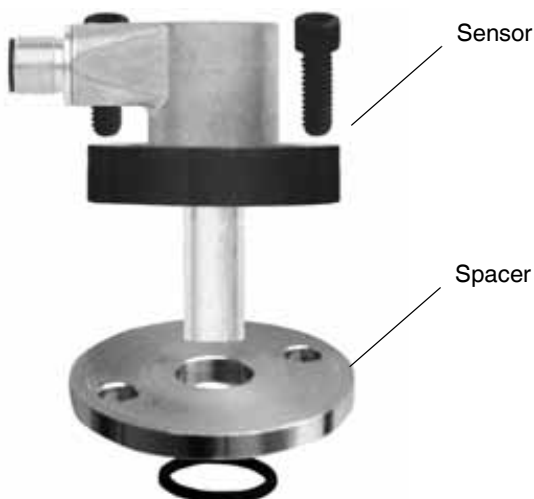
**Important: Minimum mounting screw thread engagement depth is 0.250". Spacers typically necessitate longer mounting screws than those provided.**

**Example:**

Probe length required: 0.625"

Cylinder switch: NJ2-D-E02-1.025-V1

Spacer thickness: 1.025" - 0.625" = **0.400"**



Release date: 2011-03-03 20:44 Date of issue: 2011-03-03 900186\_ENG.xml